

CLIENT (name/surname)

ORDER

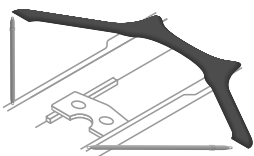
ORDER DATE

BOAT TYPE

MOULD

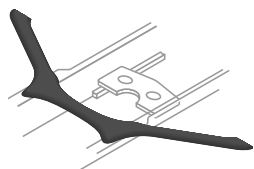
CREW WEIGHT

## RIGGER TYPE

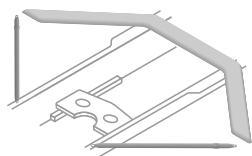


Carbon wing rigger CW

carbon backstay

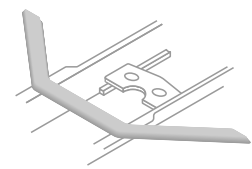


Carbon wing rigger aliante CWA



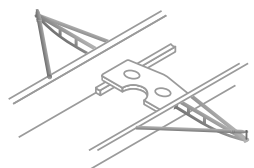
Aluminium wing rigger AW

carbon backstay

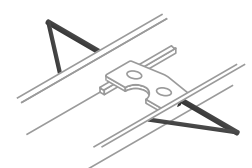


ONLY FOR SCULL  
Aluminium wing rigger aliante AWA \*

The oarlock is aligned to the working line. On wing and aliante riggers, it can be adjusted from 4cm towards stern to 8 cm towards bow.



Aluminium rigger AS

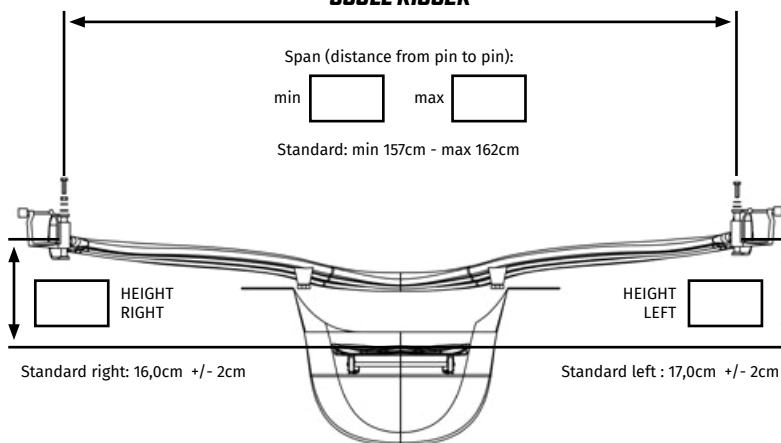


Carbon tubular rigger CT

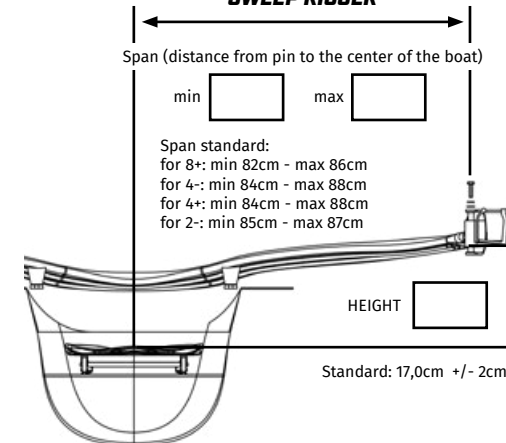
The oarlock is aligned to the working line, but it can be supplied cm \_\_\_\_\_ towards the bow, on request.

## SCULL/SWEEP RIGGERS: SPAN & HEIGHT [cm]

### SCULL RIGGER



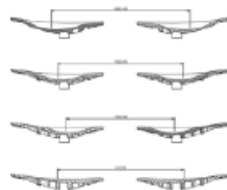
### SWEEP RIGGER



## 4in1 SEAT

4in1 action seat

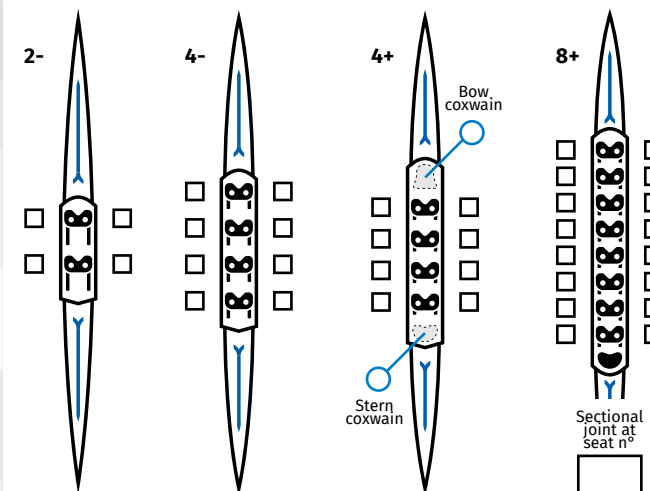
4in1 adjustable seat \*



Flat  
Small  
Medium  
Large



## RIGGER POSITION



\* it can exceed World Rowing weight

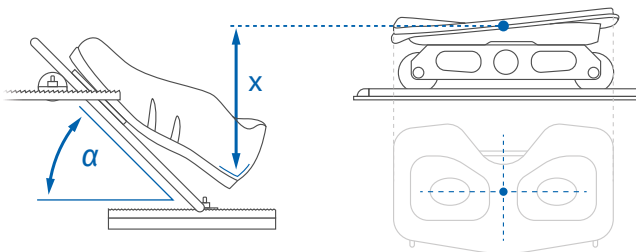
## FOOTSTRETCHER

Height (x):

cm

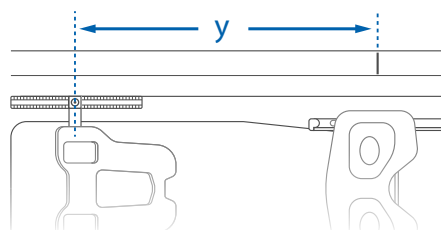
Maximum angle ( $\alpha$ )  
(ONLY FOR SINGLE SCULL):

39°  42°  45°



Crossbar to  
work line (y):

cm



## STEERING SHOE

Steering shoe  
at FISA position n°

right foot  left foot

## FIN

Aluminium fin

Black anodized  
aluminium fin \*

## MAS ROWING SHOES

Shoe size (for each seat):

n°1  n°2  n°3  n°4

n°5  n°6  n°7  n°8

**Attention:** MAS shoes use EUR shoe size system, find your correspondent size in the International Shoe Size Conversion Charts below:

MAS EUR	39	40	41	42	43	44
UK	6.5	7	7 ½	8	8 ½	9 ½
US	7	7.5	8	8 ½	9	10
JP	24.9	25.5	26.2	26.9	27.5	28.2

MAS EUR	45	46	47	48	49	50	51
UK	10 ½	11.5	12 ½	13 ½	14 ½	15 ½	16 ½
US	11	12	13	14	15	16	17
JP	28.9	29.5	30.2	30.9	31.5	32.2	32.9

## ACCESSORIES

(not included in boat price)

- SPEED COACH - GPS2
- SPEED COACH - GPS2 + TRAINING PACK
- STROKE COACH WIRELESS
- COX-BOX COMPLETE
- HARNES + SPEAKERS FOR COX-BOX
- BOAT COVER
- RIGGER COVER (included for CWA, CW, CT riggers)
- WIRELESS T-BRACKET MOUNT
- PLAIN MOUNTING DOCK FOR ALL STROKE COACH OR SPEED COACH MODELS

## CUSTOM DESIGN

(not included in boat price)

- Hull color  specify RAL
- Decks color  specify RAL
- Customizing stripes (specify RAL for each stripe):
  - Deck stripes
  - Hull stripes
- Decorative stickers \* (to be agreed separately)

Confirm customer name:

\* it can exceed World Rowing weight